

Mounting Instruction

LQ60 LED II BI MPO

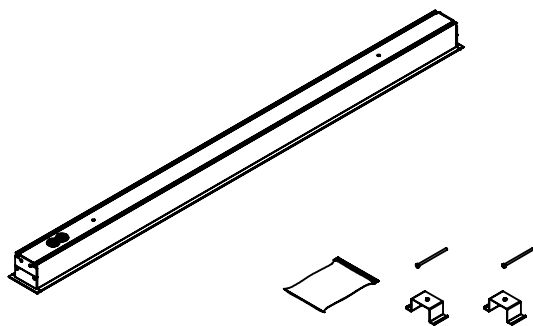
Bemærk:

- Montering af armatur og evt. servicering af LED komponenter, må kun udføres af en kvalificeret person.
- Under hele armatur installationsprocessen skal armaturet altid være i spændingsløs tilstand.
- Sikre dig altid at armaturet er i spændingsløs tilstand, før der åbnes for armaturet ved udførsel af service.
- Ikke-brugerudskiftelig lyskilde: Lyskilden i dette armatur må kun udskiftes af producenten, dennes serviceværksted eller af en tilsvarende kvalificeret person.
- " ESD følsom elektronik " undgå alt unødvendig berøring af LED paneler og LED drivere. ⚡
- Optiske linser samt andre former for optik, gitre og covers, skal altid være monteret når armaturet er i drift.
- Armaturer med DALI driver, skal være tilsluttet en god og aktiv jordforbindelse.

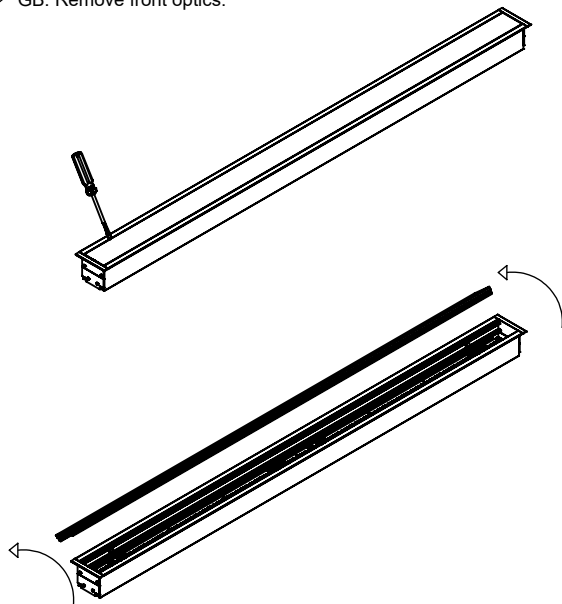
Attention:

- Installation of luminaire and servicing of LED components, may only be performed by a qualified person.
- During the complete luminaire installation process, the luminaire must always be without power.
- Always power off luminaire before opening or accessing any part of the luminaire during service routines.
- Non-user replaceable lightsource: The lightsource contained in this luminaire shall only be replaced by the manufacturer, or his service agent or a similar qualified person.
- " ESD sensitive components " avoid unnecessary touching LED boards and LED drivers. ⚡
- Optical lenses and other forms of optics and grids, must always be mounted when luminaire is in operation.
- Luminaire with DALI driver must have an good active ground/earth connection.

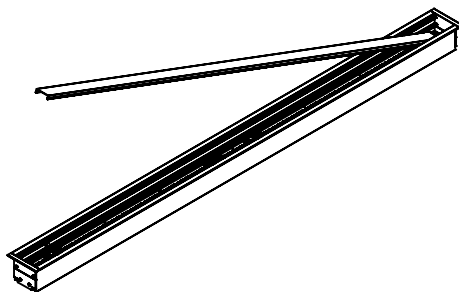
- ① DK: Pakken indholder.
GB: Content of package.



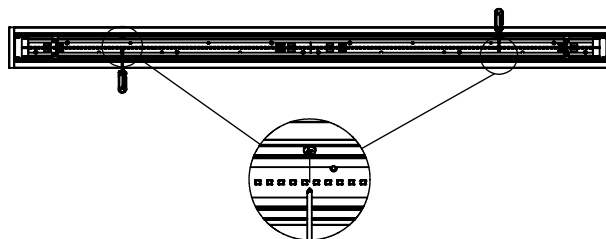
- ② DK: Afmonter afskærmning.
GB: Remove front optics.



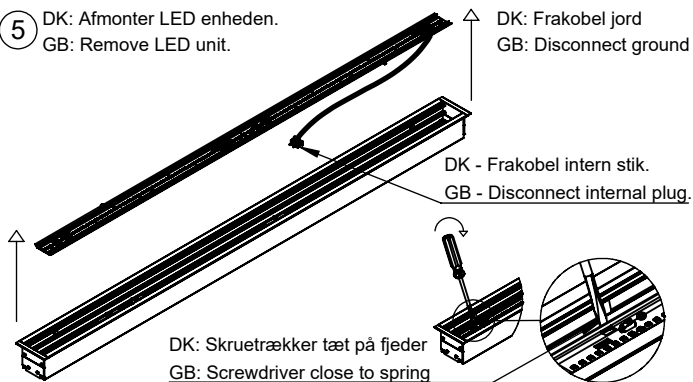
- ③ DK: Afmonter LED afskærmning.
GB: Remove LED optics.



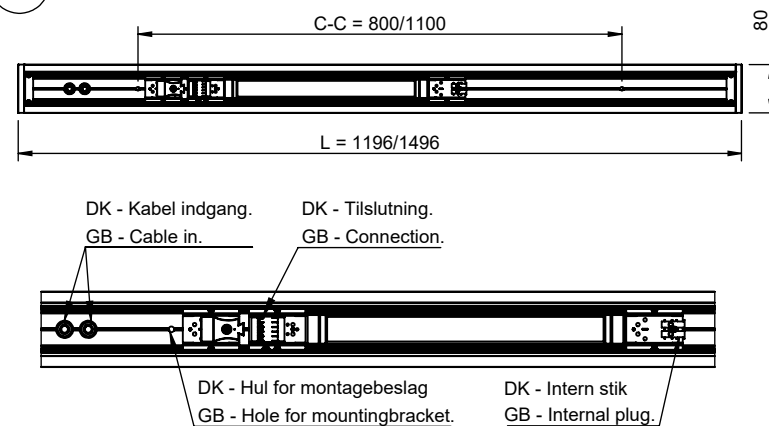
- ④ DK: Afmonter 2 stk. sikkerhedsskruer.
GB: Remove 2 pcs. safety screws.



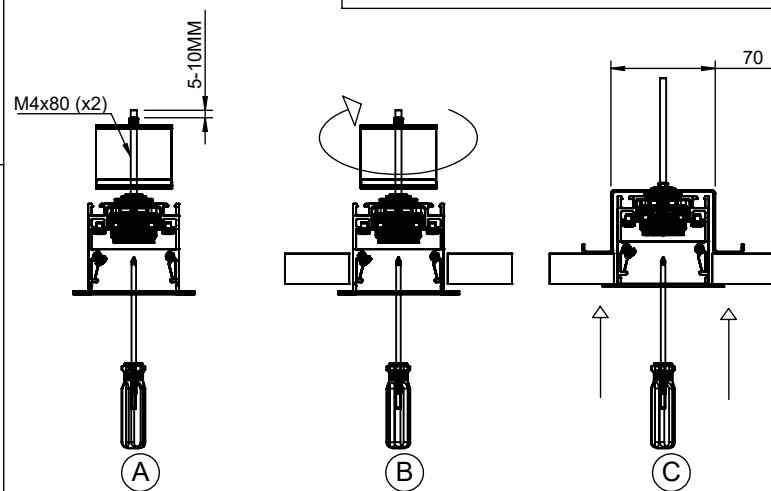
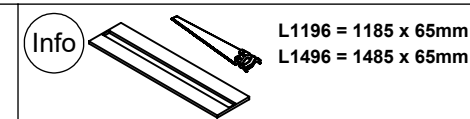
- ⑤ DK: Afmonter LED enheden.
GB: Remove LED unit.



Info



- ⑥ DK: Montering.
GB: Installation.



- DK: Monter beslagene.
GB: Install brackets.

- DK: Løft beslaget med skruen og drej det ud.
GB: Lift the bracket with the screw, and turn it out.

- DK: Spænd skruer
GB: Tighten screws.